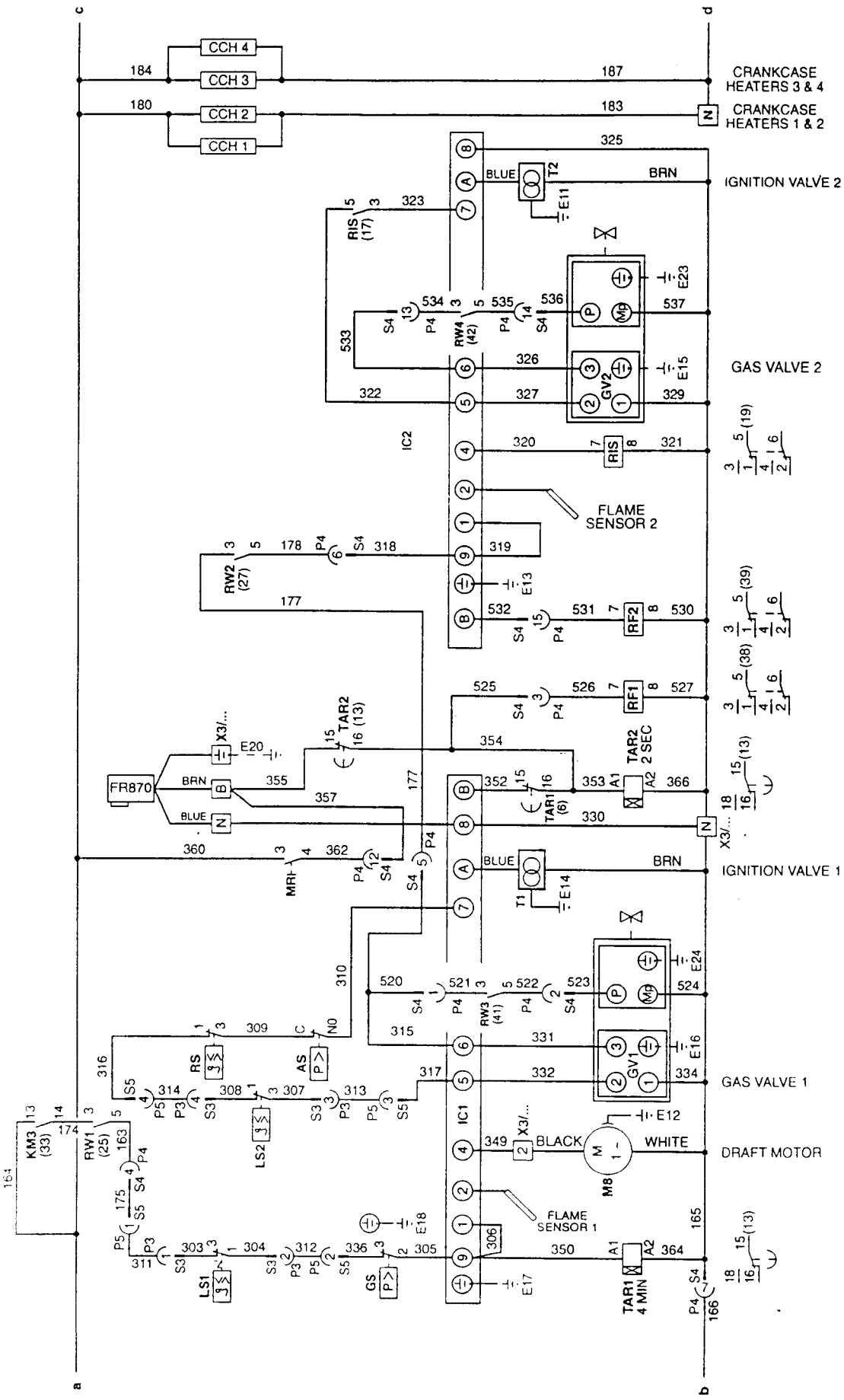


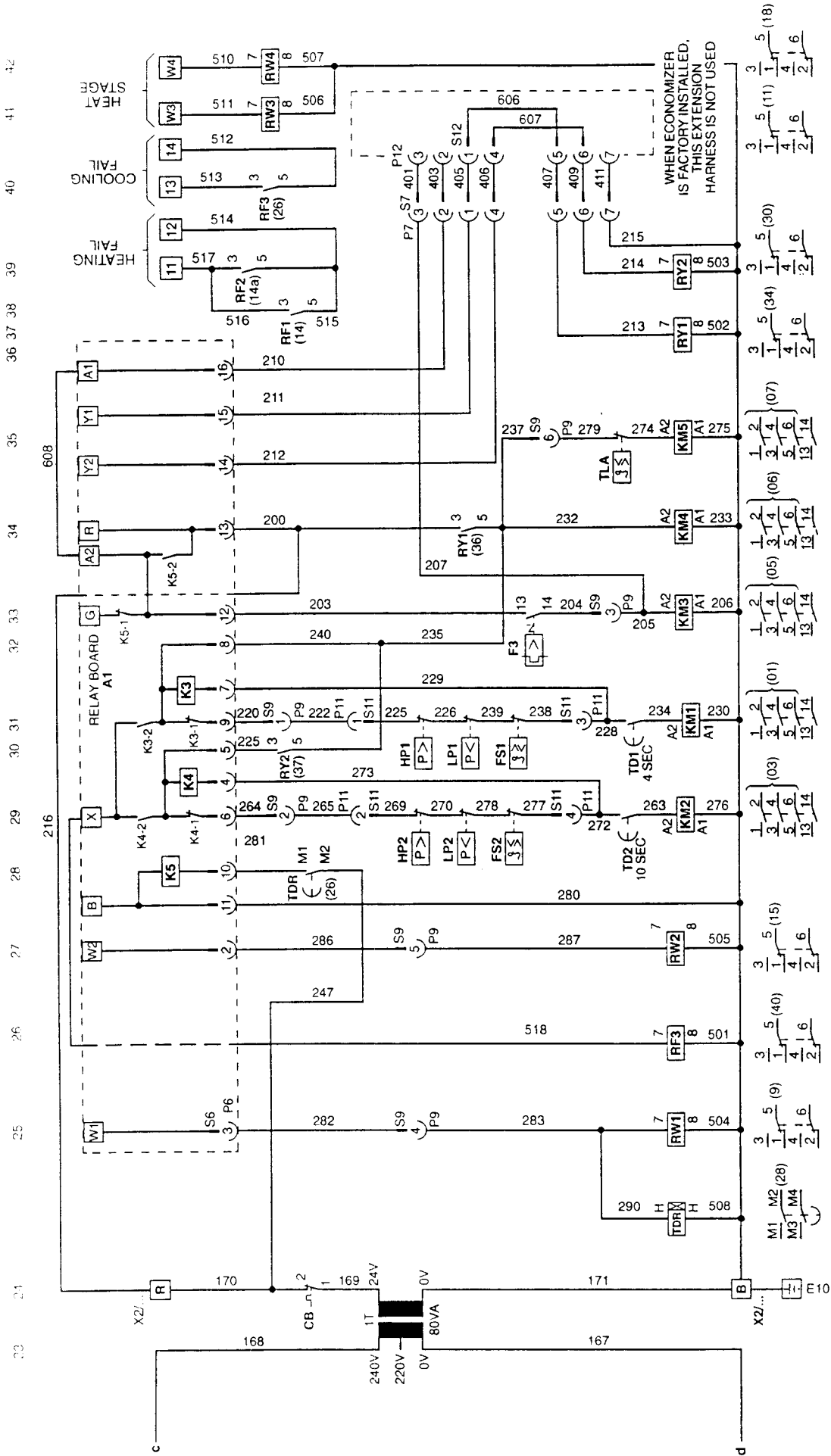
REFER TO THE ELECTRICAL DATA TABLE TO SIZE THE POWER WIRING AND CIRCUIT BREAKER

(01) (02) (03) (04) (05) (06) (07) 1 2 3

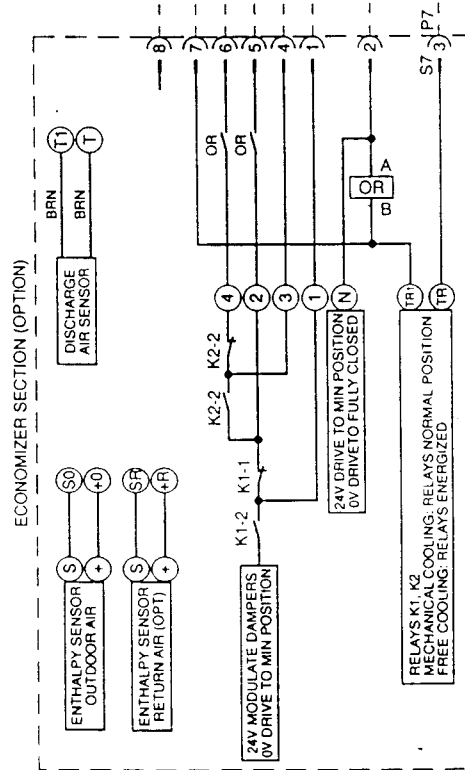
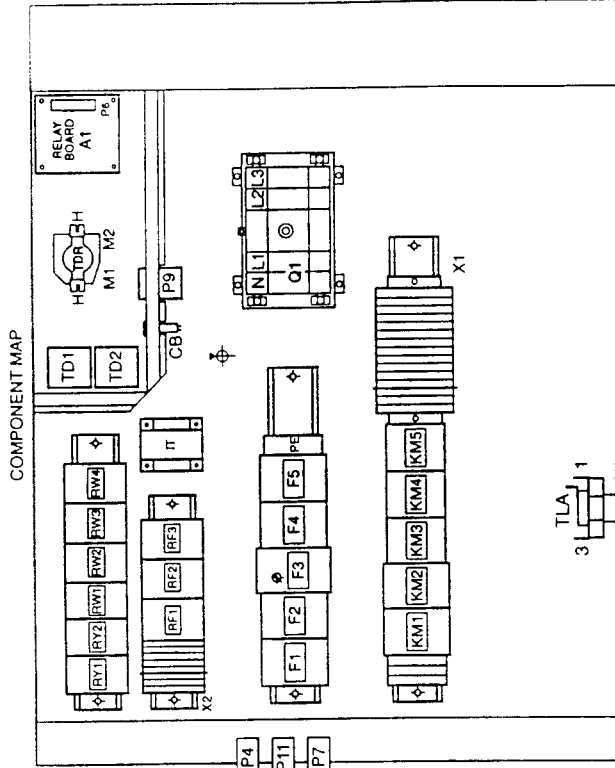
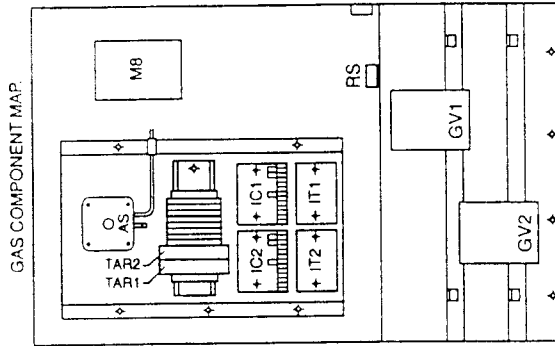
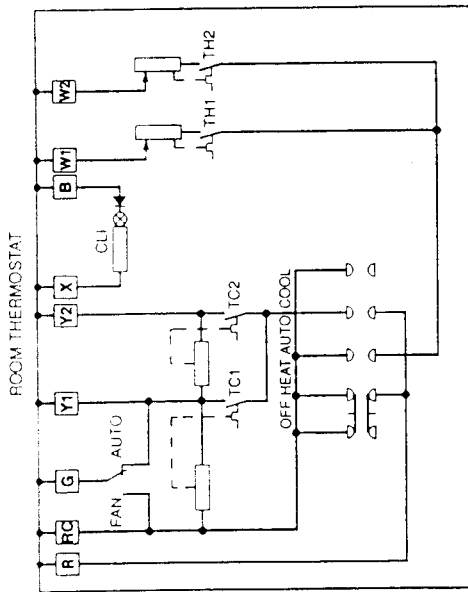
6 7 8 9 10 11 12 13 14 14a 15 16 17 18 19 20 21 22



I-1808-2/a (2 of 4) ESP
D21G240N32050



I-1808-3/a (3 of 4)ESP
D2IG240N32050



P11/S11.- CONNECTION SAFETY COMPRESSOR

PE.- EARTH

Q1.- POWER DISCONNECT SWITCH

RF1 AND RF2.- HEATING FAIL

RF3.- COOLING FAIL

RS.- RELAY IGNITION SEQUENCE

RS.- BURNER ASSEMBLY HEATSTAT

RW1, RW2, RW3 AND RW4.- RELAY STAGE HEAT

RY1 AND RY2.- RELAY COOLING

TAR1.- TIME DELAY RELAY GAS RESET 4 MIN

TAR2.- TIME DELAY RELAY GAS RESET 2 SEC.

TD1.- TIME DELAY ON MAKE 4 SEC

TD2.- TIME DELAY ON MAKE 10 SEC

TD3.- TIME DELAY RELAY

TDR.- TERMINAL BLOCK, HIGH VOLTAGE

X2.- TERMINAL BLOCK, 24 VAC

1T.- TRANSFORMER 24 VAC SEC

A1.- RELAY BOARD THERMOSTAT 24 VAC

AS.- SWITCH, AIR PRESSURE

CB.- CIRCUIT BREAKER 24 VAC

CCH1 + 4.- CRANKCASE HEATER

CL1.- COMPRESSOR LOCKOUT INDICATOR LIGHT

F1 AND F2.- CIRCUIT BREAKER, COMPRESSOR

F3.- CIRCUIT BREAKER, ID BLOWER

F4.- CIRCUIT BREAKER, OD FAN 1 & 2

F5.- CIRCUIT BREAKER, 220 VAC

GS.- SWITCH, GAS PRESSURE

HP1 AND HP2.- HIGH PRESSURE CONTROL

KM1 AND KM2.- CONTACTOR, COMPRESSOR

KM3.- CONTACTOR, ID BLOWER

KM4.- CONTACTOR, OD FAN 1

KM5.- CONTACTOR, OD FAN 2

LP1 AND LP2.- LOW PRESSURE CONTROL

LS1.- LIMIT SWITCH, MANUAL RESET

LS2.- LIMIT SWITCH, AUTO RESET

OR.- OCCUPIED RELAY

P3/S3, P5/S5.- CONNECTION GAS LIMIT SWITCH

P4/S4.- CONNECTION GAS CONTROL

P6/S6.- CONNECTION RELAY BOARD 24 VAC

P7/S7, P12/S12.- CONNECTION ECONOMIZER CONTROL

P9/S9.- CONNECTION 24 VAC PARTITION